

JOB INFORMATION

Type: _____
 Catalog No: _____
 Project Name: _____
 Comments: _____

 Prepared by: _____

RULB

120V LED UNDER CABINET WITH
 COLOR TEMPERATURE SELECTABLE

FEATURES

USE OF PRODUCT

The ideal product for energy-efficient lighting for retrofit or new construction applications. A great replacement for existing fluorescent, incandescent, halogen, or xenon under cabinet lighting. This product may be used in hospitality, health care, commercial, retail, and residential applications. The RULB series will reduce energy consumption, emits little heat, and reduces cooling loads for added costs.

RULB FEATURES

- Voltage: 120V
- Color Temperature Selectable: 2700K, 3000K, 3500K, 4000K, 5000K
- Color Rendering Index: 90+ CRI
- LED Life: 50,000 hours
- Finish: White or Black
- Acrylic lens
- No LED pixelation or glare
- Dimmable
- Wide light distribution allows for continuous illumination when linked with end-to-end connectors

COLOR TEMPERATURE SELECTABLE

Rayon Lighting's all-in-one correlated color temperature (CCT) selectable LED under cabinet allows for easy control between 2700K, 3000K, 3500K, 4000K or 5000K color temperature with a simple switch.

LED DRIVER

Integral 120V dimmable driver.

DIMMING

Please refer to dimmer list on page 4.

ELECTRICAL CONNECTION

RULB Series may be connected with direct wire or duplex plug. End-to-end connectors allow fixtures to be linked in a continuous row.

INCLUDED ACCESSORIES

Captive screws, plastic washer, wire connector, end-to-end connector, on/off locker switch, and 3/8" die-cast outlet.

OPTIONAL ACCESSORIES

Power cord, linkable connector with lead wire (available in five different lengths), and junction box. All options available in black or white.

LABELS / COMPLIANCE

- UL/cUL classified.
- Damp location rated.
- State of California Title 24 and JA8 compliant.
- Energy Star certified.

WATT AND LUMEN CHART

LENGTH	WATTS	LUMENS
11"	6W	270 lm
14"	9W	386 lm
22"	11W	548 lm
29"	13W	741 lm
36"	16W	1130 lm
48"	18W	1430 lm



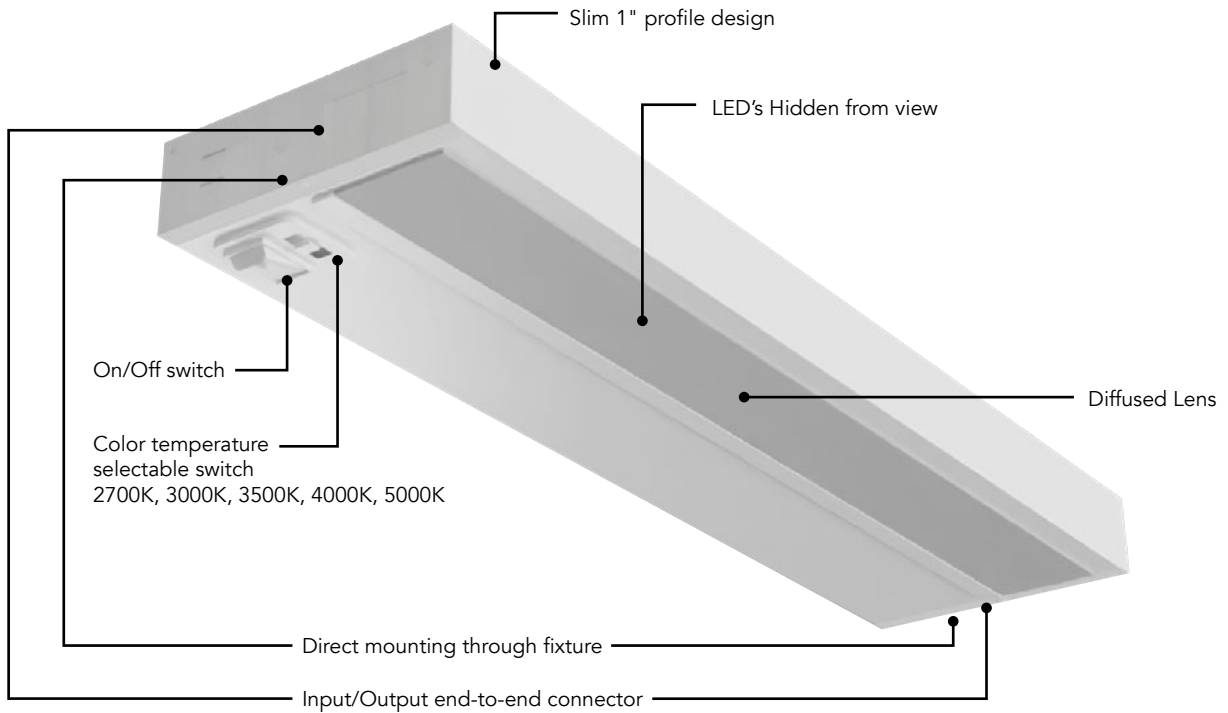
ORDERING INFO

SERIES	LENGTH	COLOR TEMPERATURE	FINISH	OPTIONS
RULB	11 - 11"	5CTS - Color Temperature Selectable (2700K, 3000K, 3500K, 4000K, 5000K)	W - White B - Black	White Accessories: LC2-W - White Linkable Connector with 2" Lead Wire LC3-W - White Linkable Connector with 3" Lead Wire LC4-W - White Linkable Connector with 4" Lead Wire LC12-W - White Linkable Connector with 12" Lead Wire LC24-W - White Linkable Connector with 24" Lead Wire PC120-W - White Power Cord JB-W - White J-Box Black Accessories: LC2-B - Black Linkable Connector with 2" Lead Wire LC3-B - Black Linkable Connector with 3" Lead Wire LC4-B - Black Linkable Connector with 4" Lead Wire LC12-B - Black Linkable Connector with 12" Lead Wire LC24-B - Black Linkable Connector with 24" Lead Wire PC120-B - Black Power Cord JB-B - Black J-Box
	22 - 22"			
	29 - 29"			
	36 - 36"			
	48 - 48"			

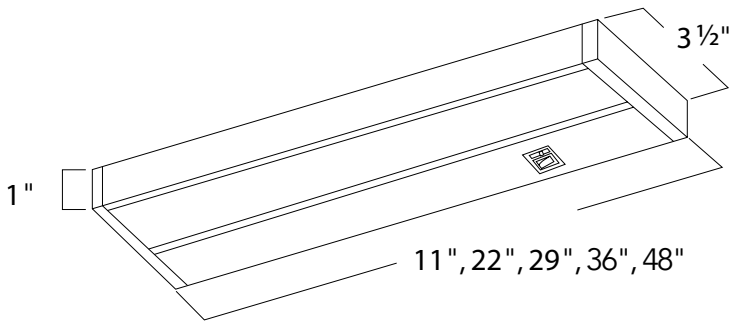
RULB

120V LED UNDER CABINET WITH COLOR TEMPERATURE SELECTABLE

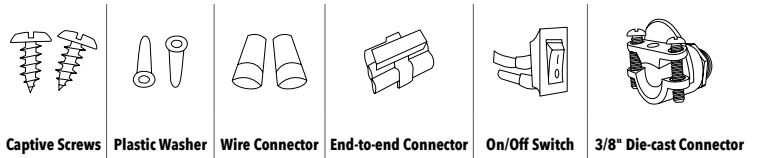
RULB ANATOMY



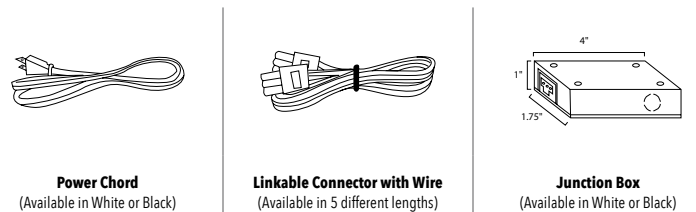
DIMENSIONS



INCLUDED ACCESSORIES



OPTIONAL ACCESSORIES

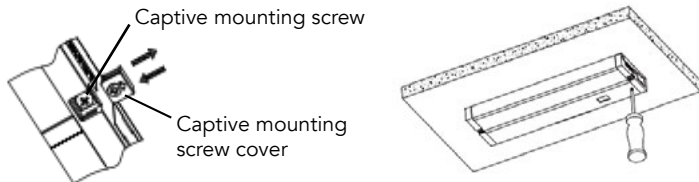


RULB

120V LED UNDER CABINET WITH COLOR TEMPERATURE SELECTABLE

MOUNTING FIXTURE

1. Remove captive mounting screw covers.
2. Place fixture in desired position and drive mounting screws securely. In some installations it may be desired to drill a pilot hole for the screws.
3. Replace the captive mounting screw cover.



JOINING MULTIPLE FIXTURES

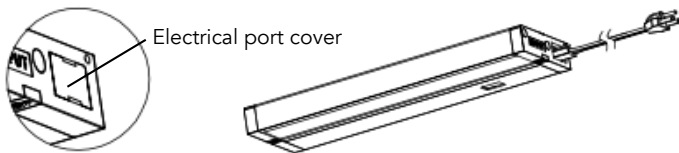
USING JUMPER CORD

1. Remove electrical port covers.
2. Connect INPUT of jumper cord to INPUT of electrical port.
3. Connect OUTPUT of jumper cord to OUTPUT of electrical port.



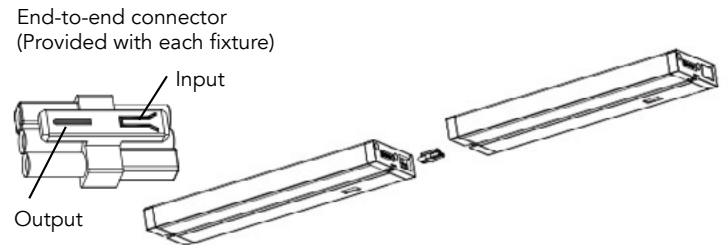
POWER CORD CONNECTION

Remove the electrical port cover and insert the power cord into INPUT electrical port. (Power cord sold separately.)



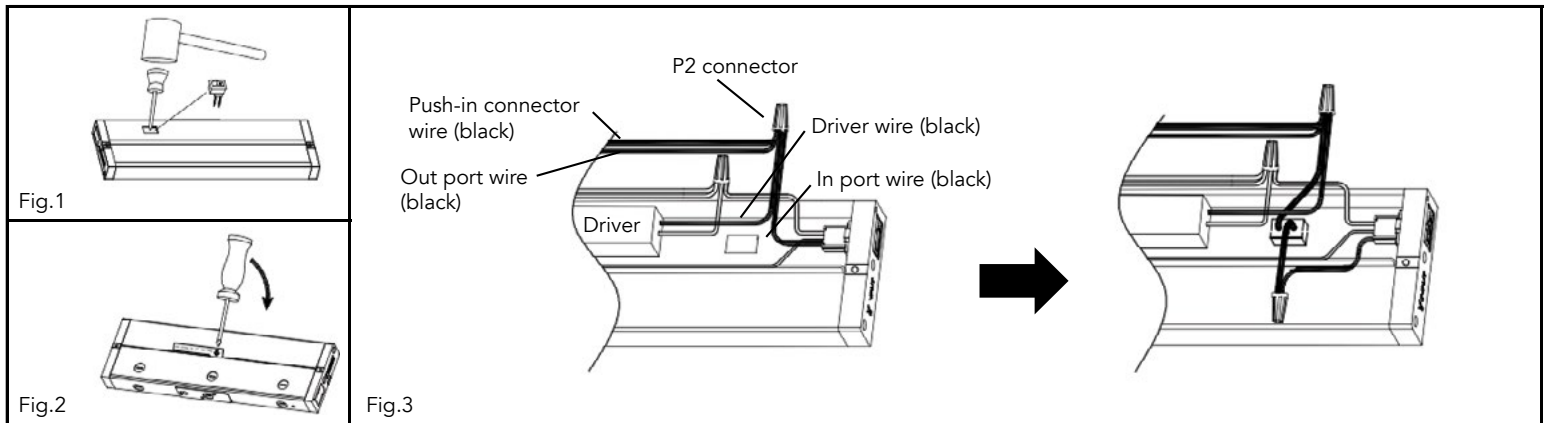
USING END-TO-END CONNECTOR

1. Remove electrical port covers.
2. Connect INPUT of end-to-end connector to INPUT of electrical port.
3. Connect OUTPUT of end-to-end connector to OUTPUT of electrical port.



SWITCH CONNECTION

1. Remove knockout in the front of fixture by using a hammer or punch and push a switch into the square hole. (Fig.1)
2. Open a cover in the back using a flat and sharp tool. (Fig.2)
3. Unscrew a P2 connector where four black wires are connected. (Fig.3)
4. Use a P2 connector (provided) and connect an INPUT port wire (black) and a wire from switch. (Fig.3)
5. Use another P2 connector (provided) and connect a wire from Switch and the rest black wires. (Fig.3)
6. Replace the cover.



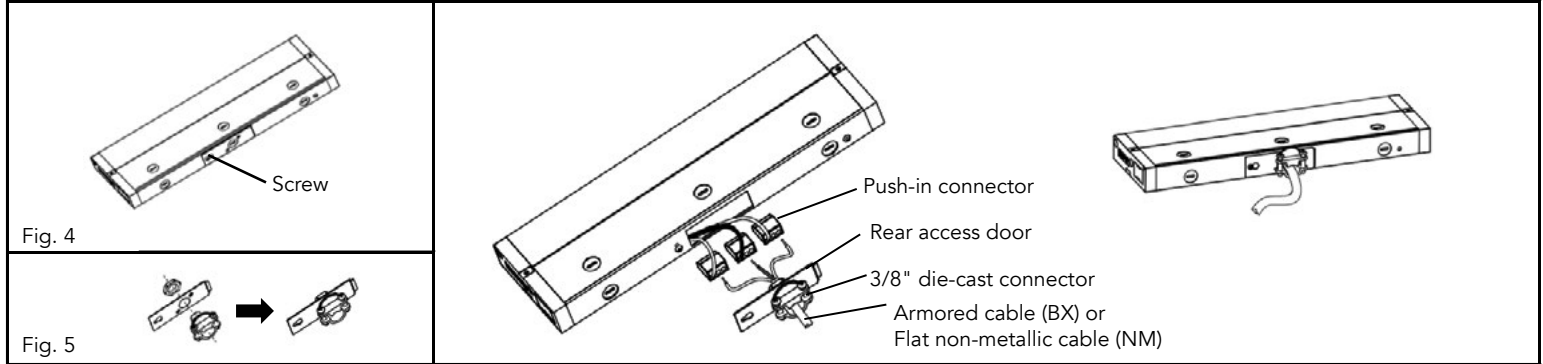
RULB

120V LED UNDER CABINET WITH COLOR TEMPERATURE SELECTABLE

UNDER CABINET INSTRUCTIONS

WIRING CONNECTIONS THROUGH A REAR ACCESS DOOR

1. Loosen screw that secures rear access door and remove the door from key hole by just a slide. (Fig.4)
2. Assemble 3/8" die-cast connector into rear access door (Fig.5) and push supply cable through the die-cast connector. (Fig. 6)
3. Inside fixture are three wires with push-in connectors. Carefully pull these out of fixture. Do not pull with excessive force.
4. Insert each of the three wires from the supply cable into each of the three push-in connectors with respective color wires.
Black to black, white to white and green (earth wire) to green.
5. Neatly push wires and push-in connectors into opening in back of the fixture.
6. Close the rear access door and tighten screw.



WIRING CONNECTIONS THROUGH A BACK SIDE COVER

1. Open a cover in the back using a flat and sharp tool.
2. Remove knockout and assemble 3/8" die-cast connector.
3. Push supply cable through the die-cast connector and connect wires using push-in connector.
4. Replace the cover and close up.

DIMMER LIST

LUTRON	MODEL NO.	DIMMING RATE
	CT-603PG	10%–100%
	CT-600PR-LA	10%–100%
	CT-6000PR-IV	10%–100%
	CT-600PR-WH	10%–100%
	CT-600PR	10%–100%
	DV603PG	10%–100%
	DVW-603PGH-WH	10%–100%
	DVCL-153P	10%–100%
	MACL-153M	10%–100%
	TGCL-153P	10%–100%
	S-600PR-WH	10%–100%
	S-2-LH	10%–100%

LEVITON	MODEL NO.	DIMMING RATE
	6631	10%–100%
	6633	10%–100%
	1A1505	10%–100%
	1C1605	10%–100%

COOPER	MODEL NO.	DIMMING RATE
	DLV03P	10%–100%